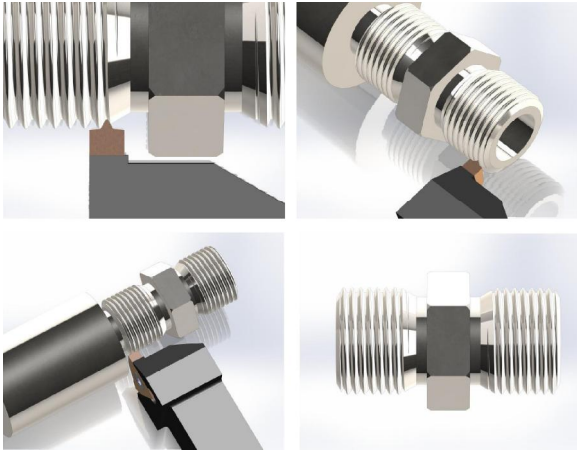
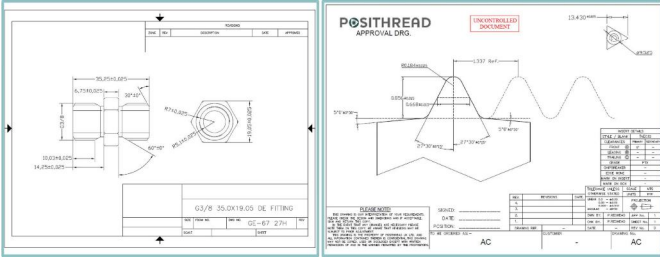
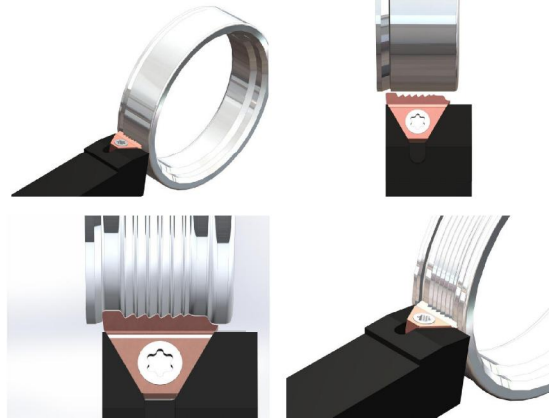
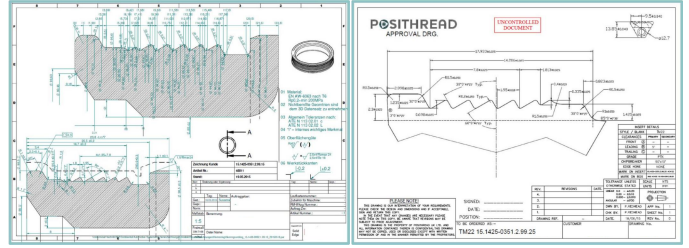


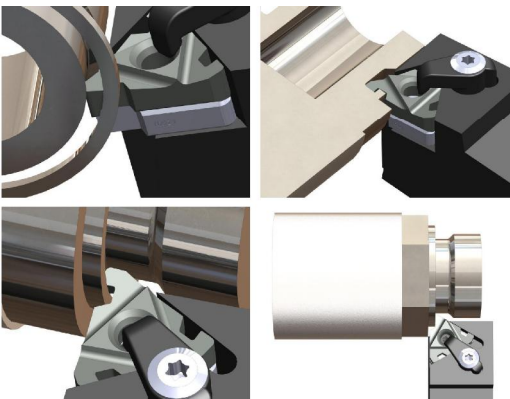
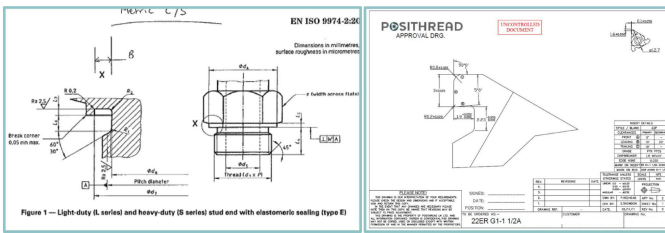
HYDRAULIC FITTING
TNEC32, SMALL MOD TO STANDARD TOOLING



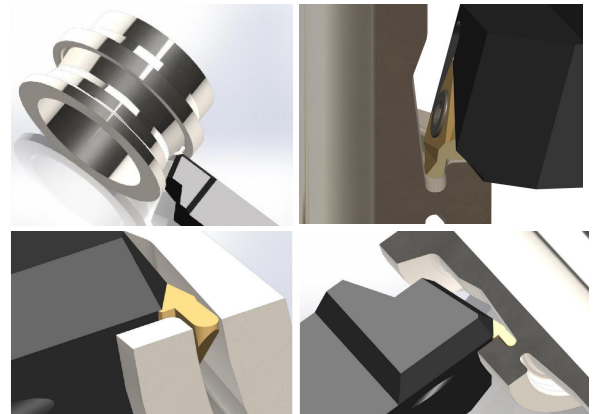
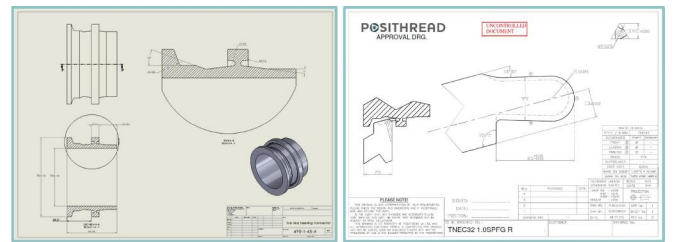
RADIAL PROFILE GROOVE
TM22, STANDARD TOOLING



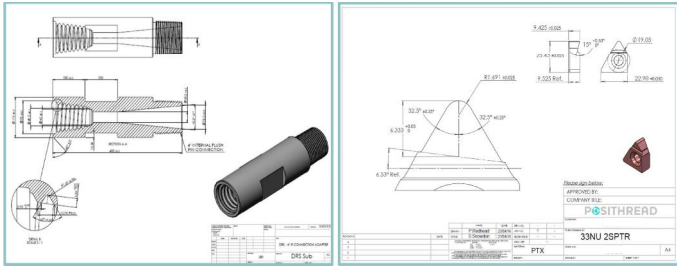
METRIC AND BSP CAPTIVE SEALS
22ER, SMALL MOD TO STANDARD TOOLING



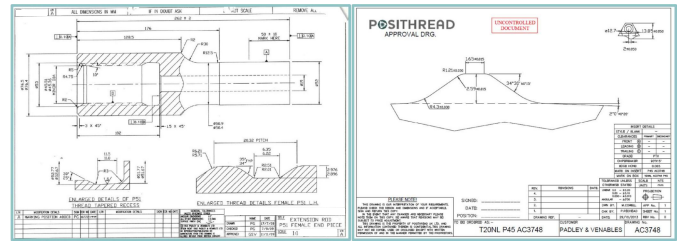
SUB-SEA SLEEVING CONNECTER
TNEC32, SPECIAL TOOLHOLDER



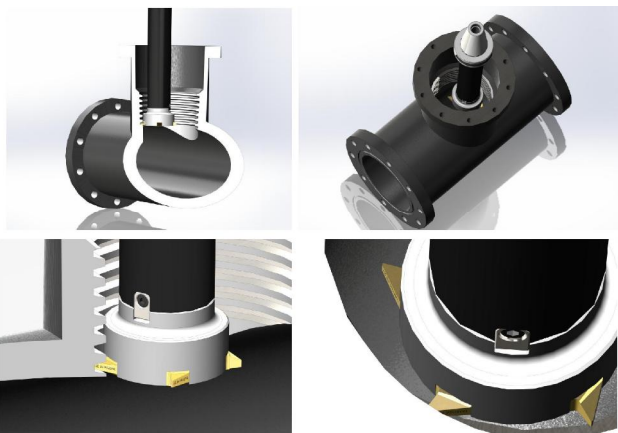
DRS CONNECTION ADAPTER
LAYDOWN 33 U-STYLE, SPECIAL TOOLHOLDER



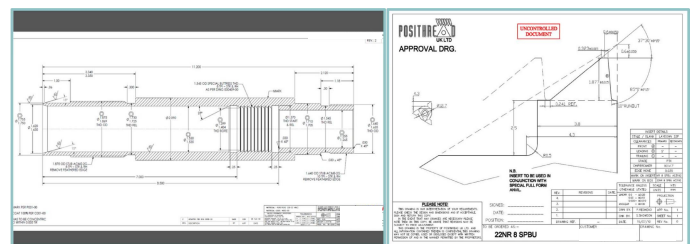
DRS CONNECTION ADAPTER
LAYDOWN 33 U-STYLE, SPECIAL TOOLHOLDER



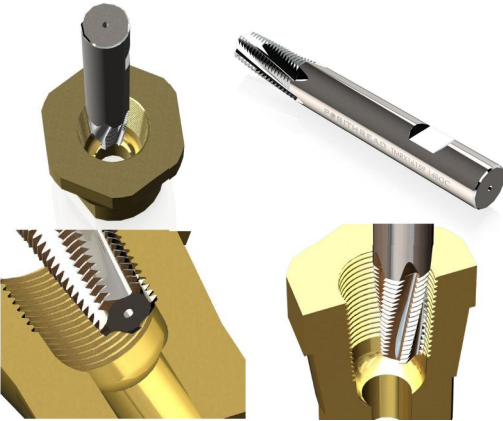
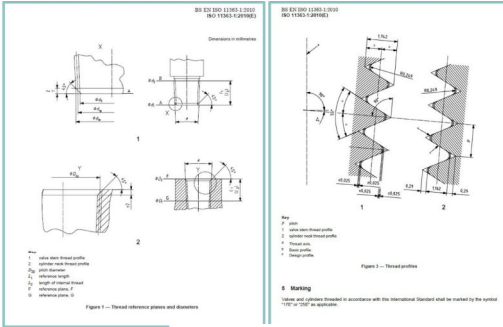
INDEXABLE THREADMILLING, GROOVING (SHELLMILL)
STANDARD ARBOURS



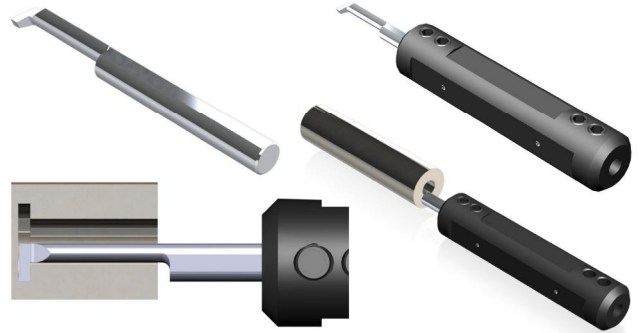
SETTING SLEEVE
22NR, STANDARD TOOLING



GAS CYLINDER CONNECTION
SPECIAL THREADMILL



LONG REACH CARBIDE PROFILE TOOL
SPECIAL RADIAL GROOVE



LONG REACH CARBIDE PROFILE TOOL
SPECIAL FACE GROOVE



LONG REACH CARBIDE PROFILE TOOL
SMALL DIAMETER THREAD, 3.5 x Ø LENGTH OF THREAD



OIL FIELD DOVE TAIL GROOVES
STANDARD TOOLING, TNEC43-54-55-66

